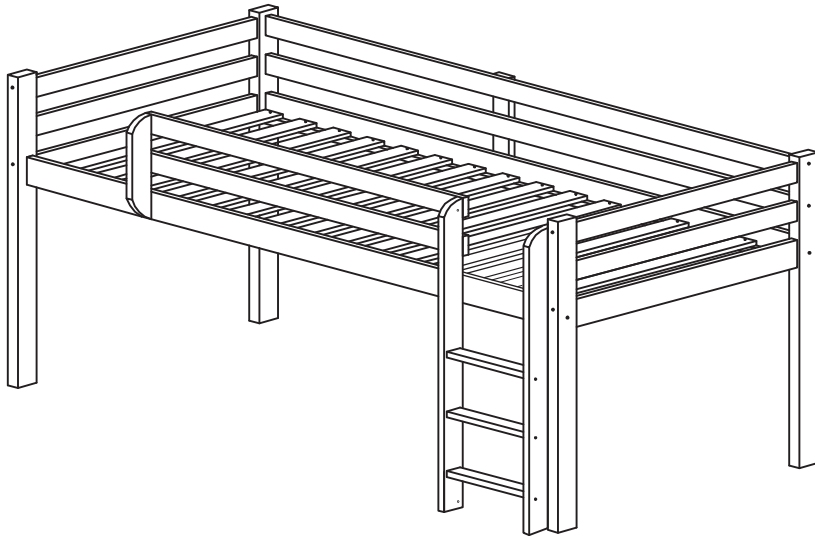


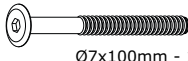
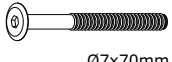
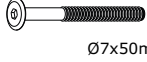

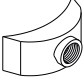
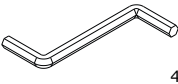

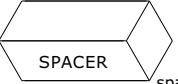
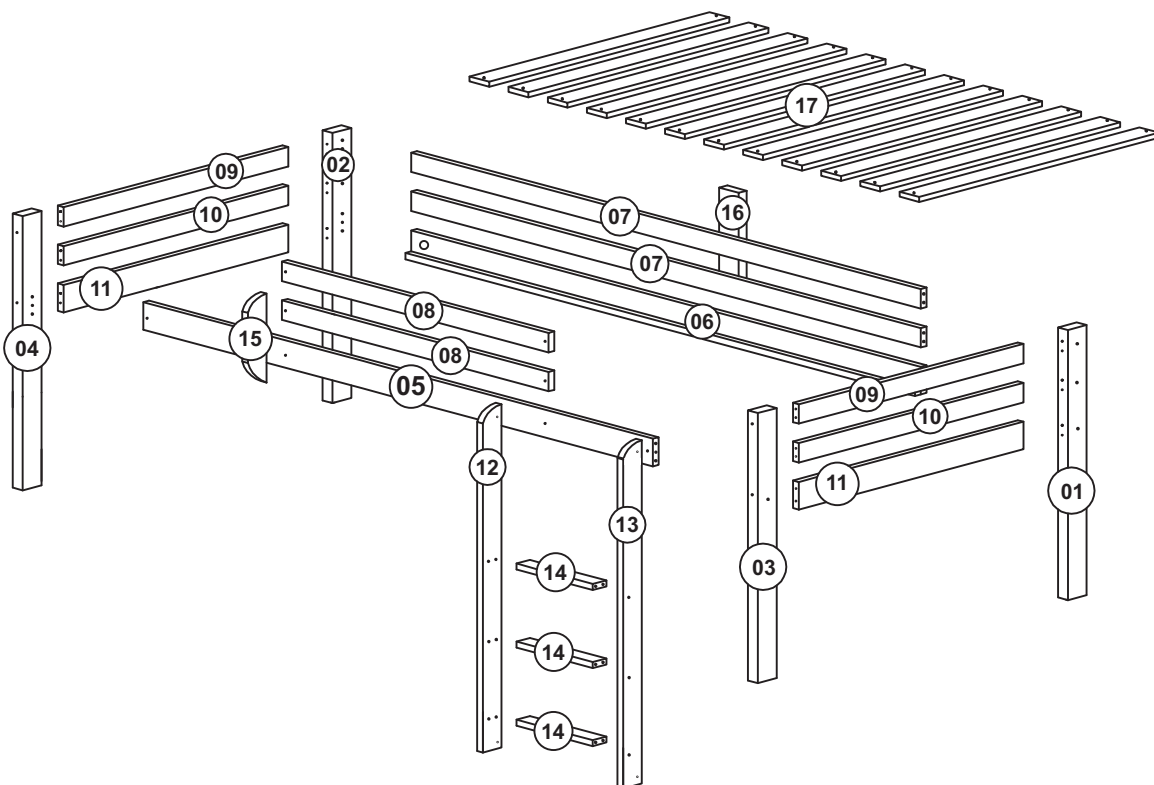
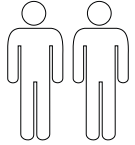



# Cama Alta


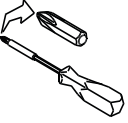



<b>A</b>	 Ø10x40mm	<b>34</b>
<b>B</b>	 Ø1/4"x80mm - Ø17	<b>04</b>
<b>C</b>	 Ø7x100mm - 17	<b>08</b>
<b>D</b>	 Ø7x70mm - 17	<b>04</b>
<b>E</b>	 Ø7x50mm - 17	<b>13</b>
<b>F</b>	 Ø3,5x30mm	<b>29</b>
<b>G</b>	 Ø1/4"x25mm	<b>04</b>
<b>H</b>	 4mm	<b>01</b>
<b>I</b>	 Glue	<b>01</b>
<b>J</b>	 SPACER spacer	<b>02</b>



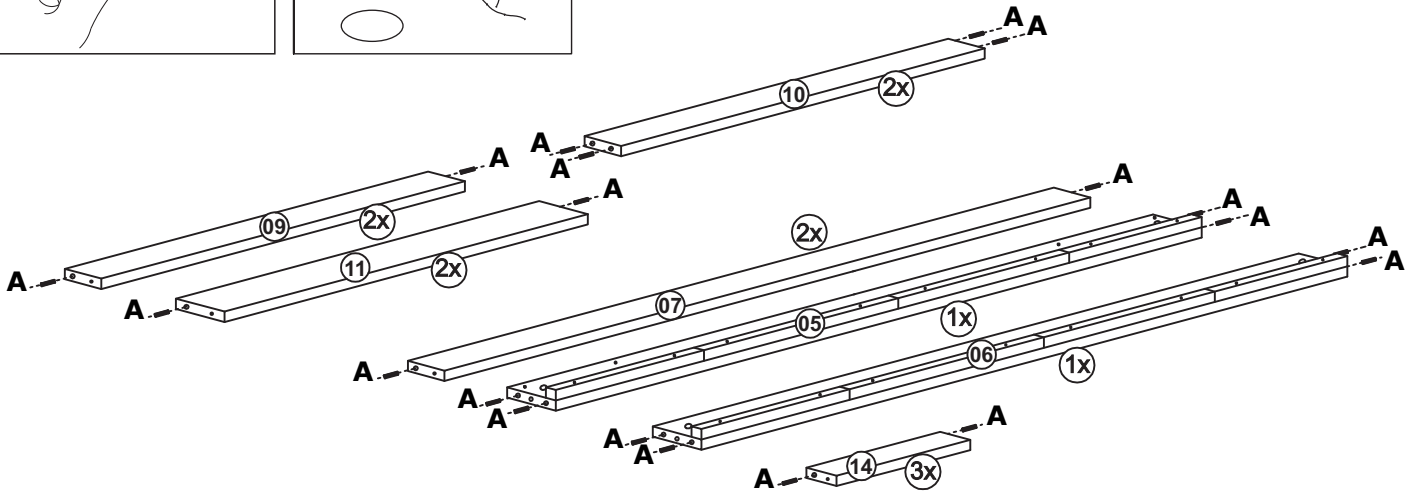
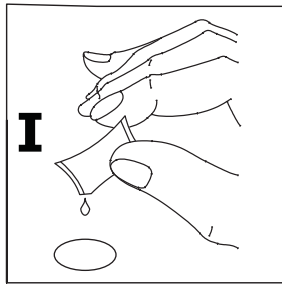
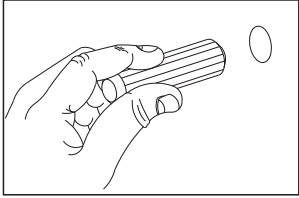




**0:45min**

Do Not Use Power Tools

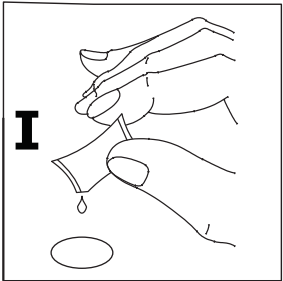
# 01




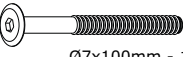
**A**  **34x**  
Ø10x40mm

**I**  **01x**  
Glue

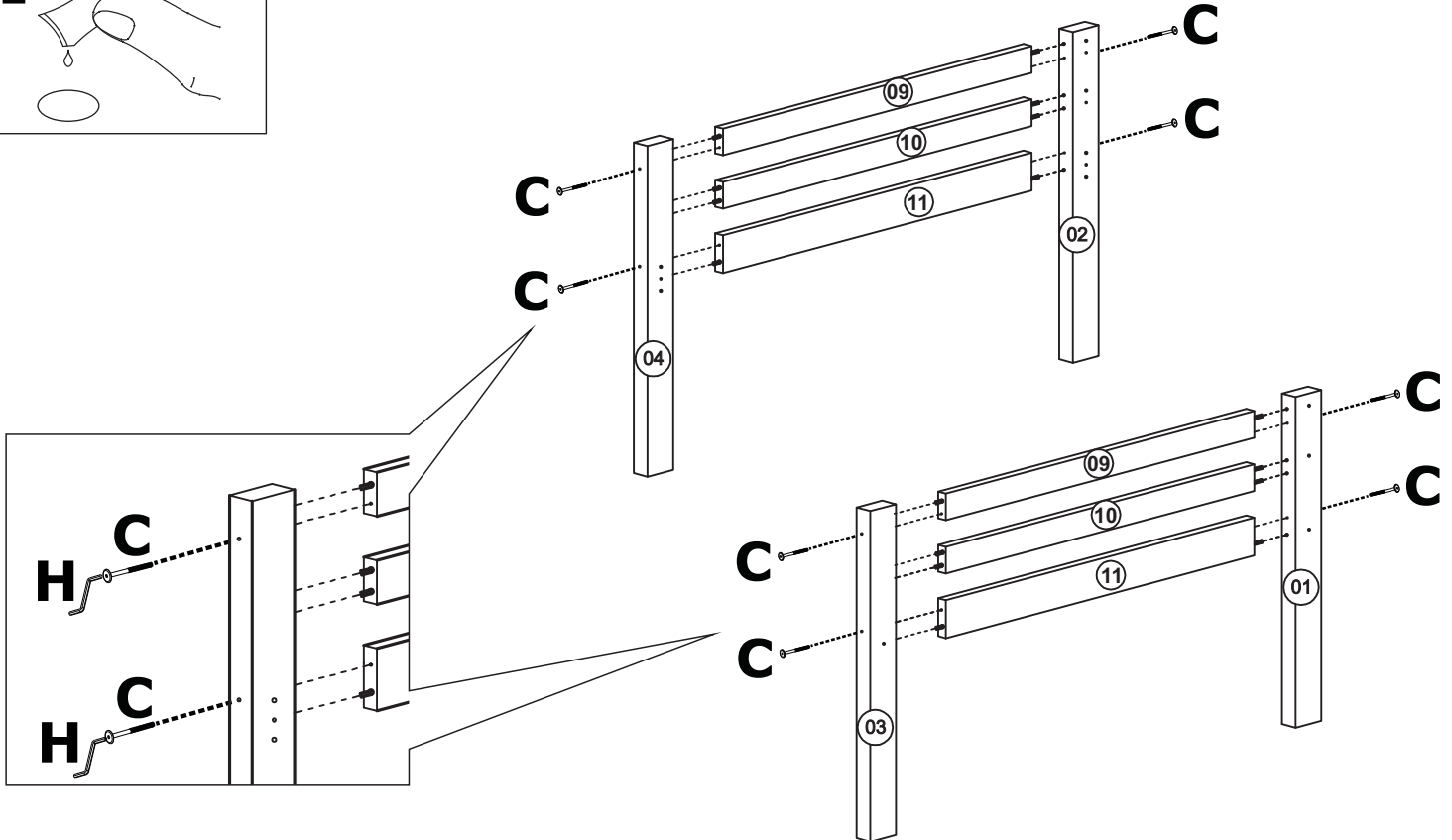
# 02



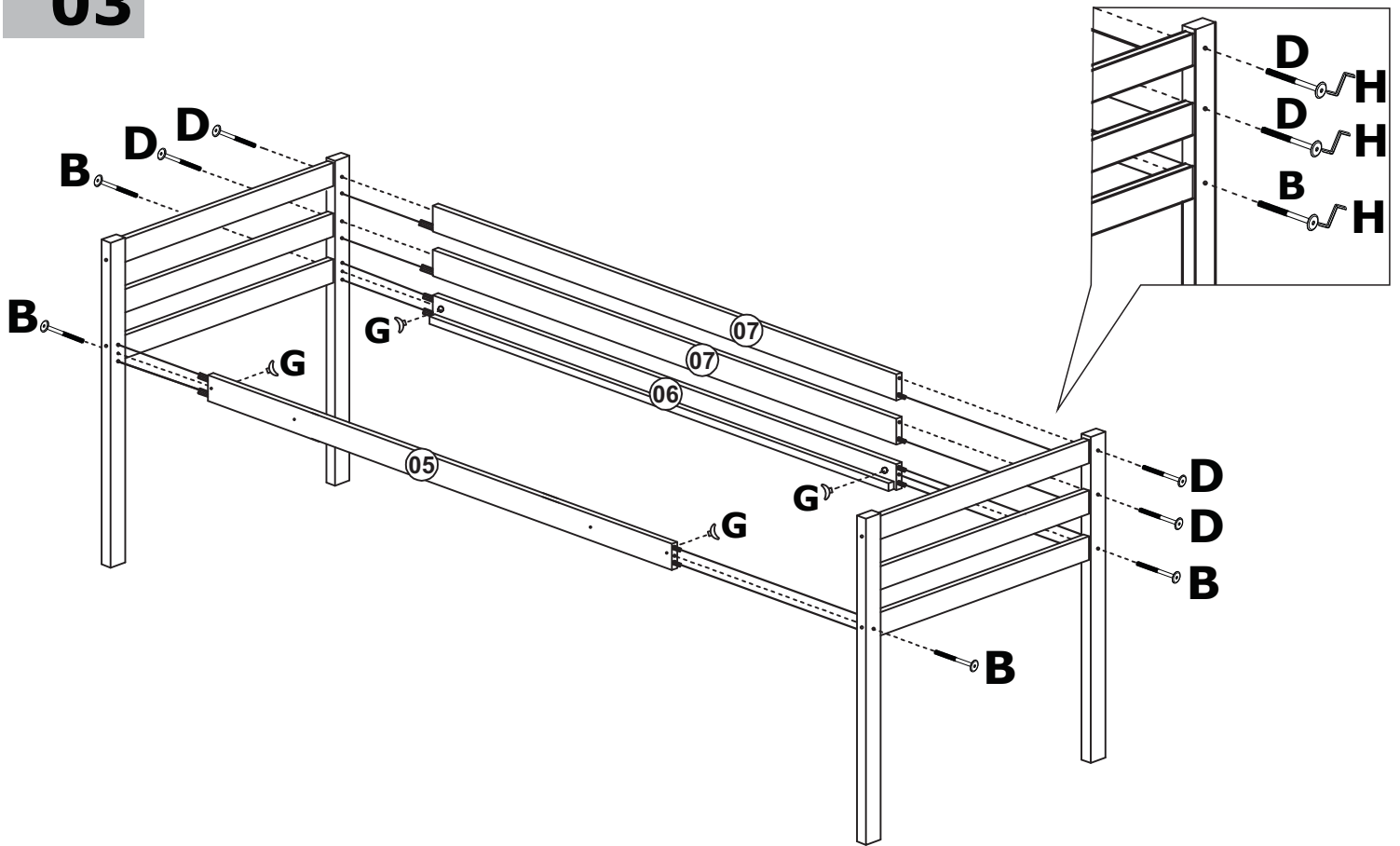
**H**  **01x**  
4mm


**C**  **08x**  
Ø7x100mm - 17

**I**  **01x**  
Glue




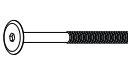
# 03



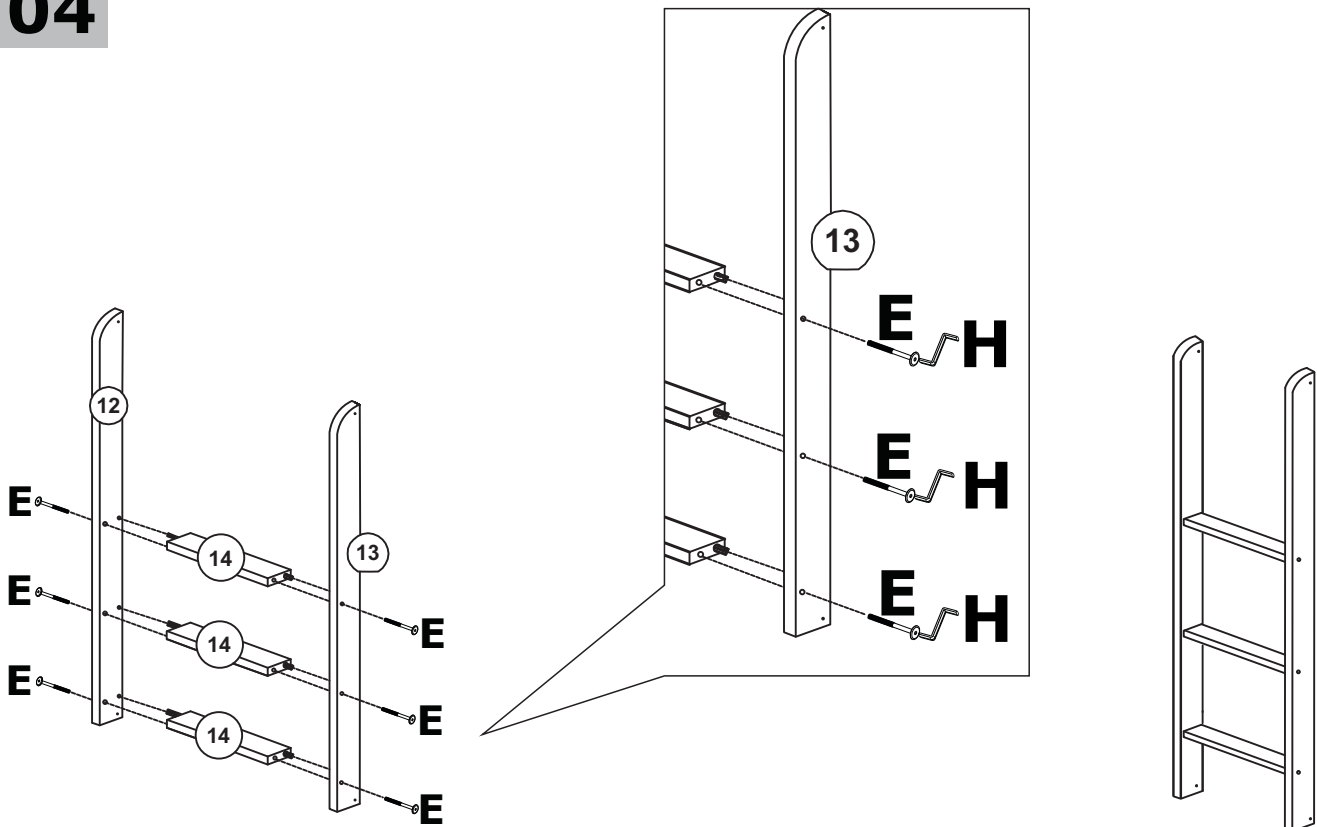
**H**  **01x**  
4mm


**G**  **04x**  
Ø1/4"x25mm

**B**  **04x**  
Ø1/4"x80mm - Ø17

**D**  **04x**  
Ø7x70mm Cab. Ø17mm

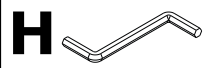
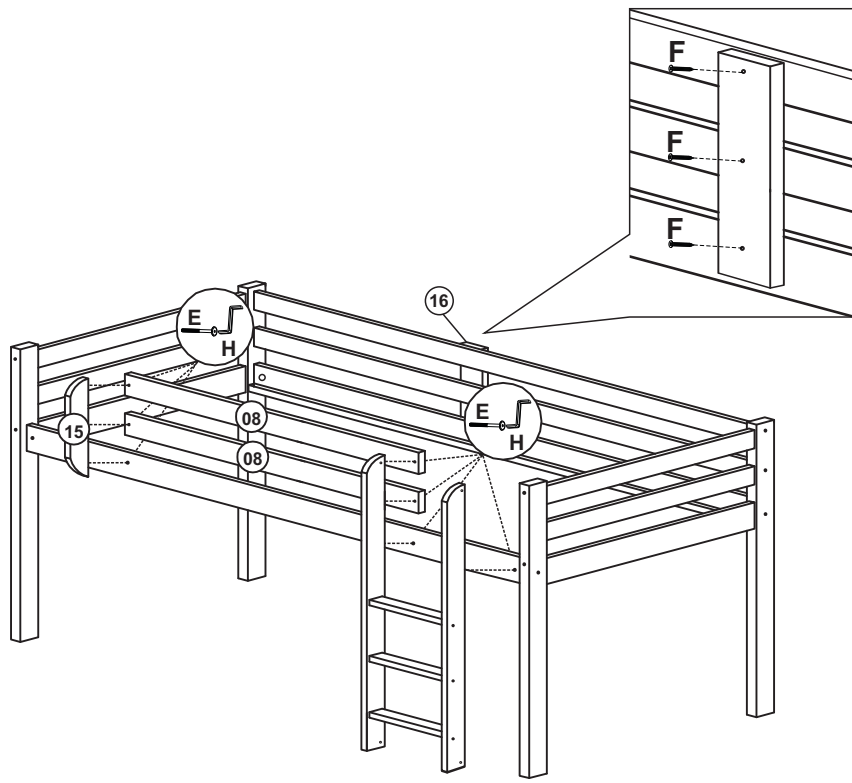
# 04



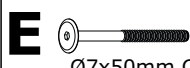
**H**  **01x**  
4mm

**E**  **06x**  
Ø7x50mm Cab. Ø17mm

05



01x  
4mm

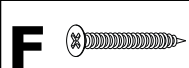


07x  
Ø7x50mm Cab. Ø17mm



03x  
Ø3,5x30mm

06



26x  
Ø3,5x30mm

