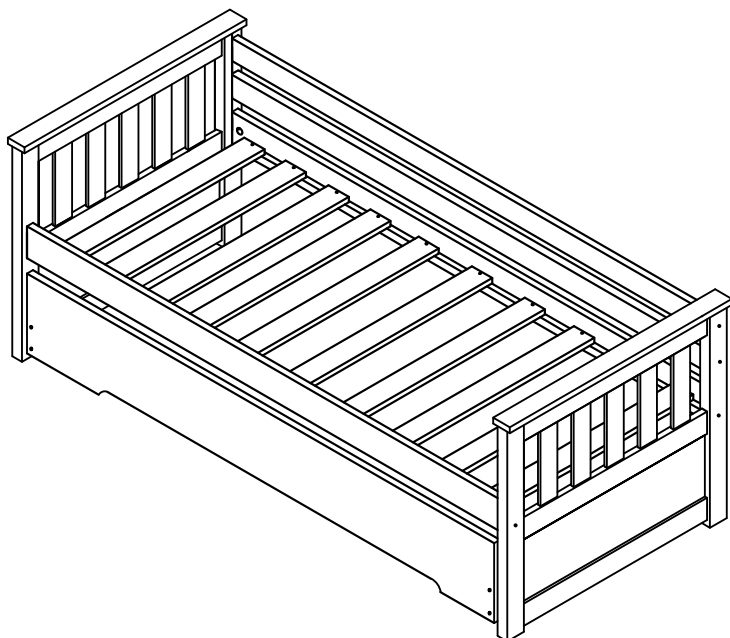

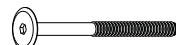





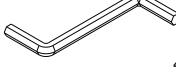
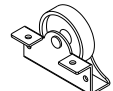

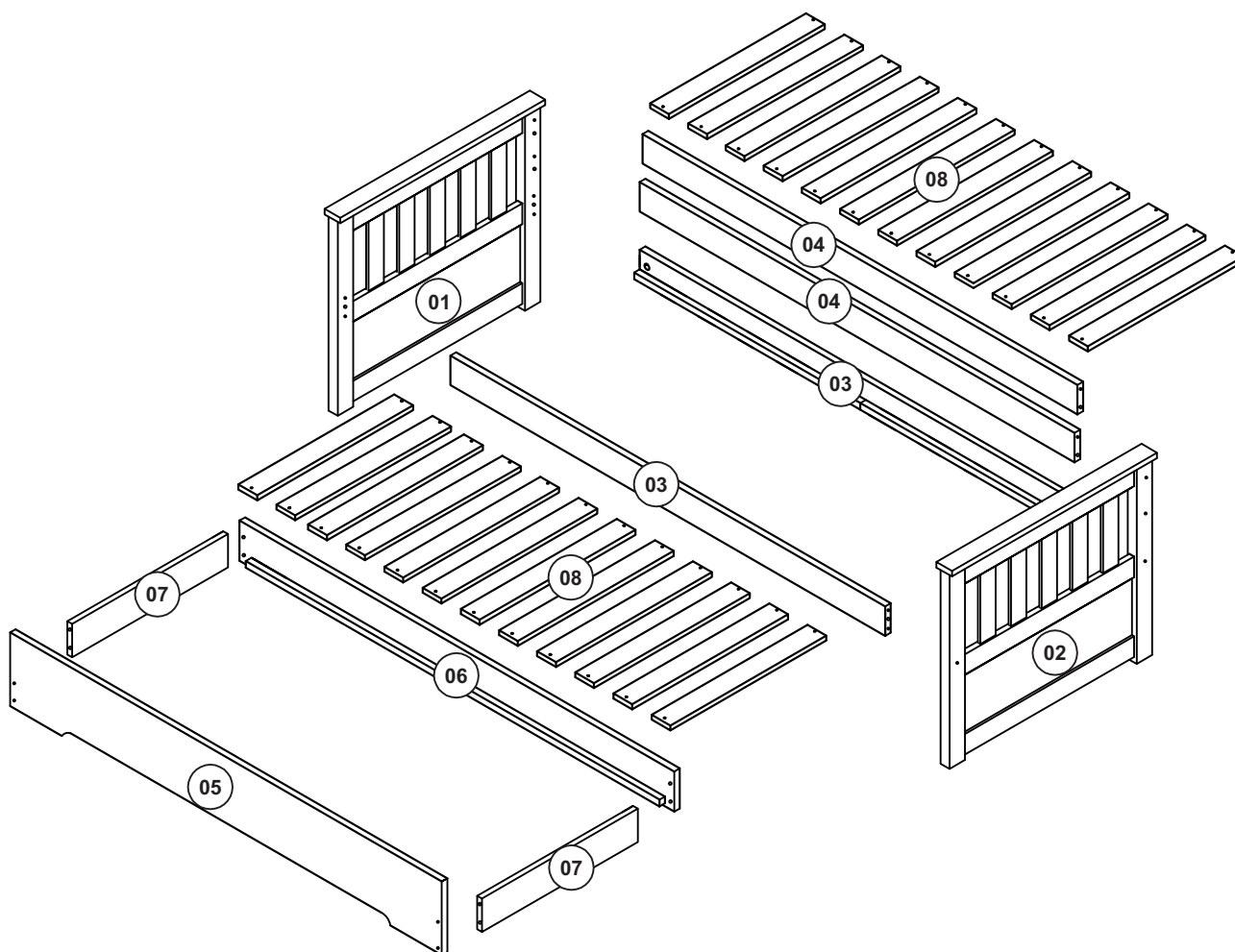
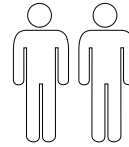



Bicama Mission


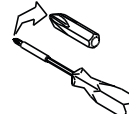



A	 Ø10x40mm	12
B	 Ø1/4"x80mm - Ø17	04
C	 Ø7x50mm - 17	08
D	 Ø7x70mm - 17	04
E	 Ø3,5x14mm	16
F	 Ø3,5x30mm	48
G	 Ø1/4"x25mm	04
H	 4mm	01
I		04
J	 SPACER spacer	02



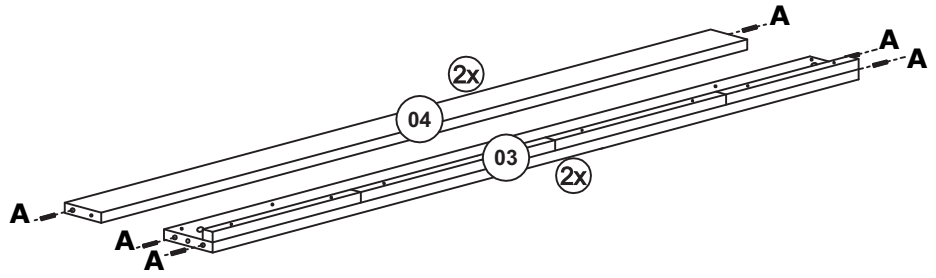




0:45min

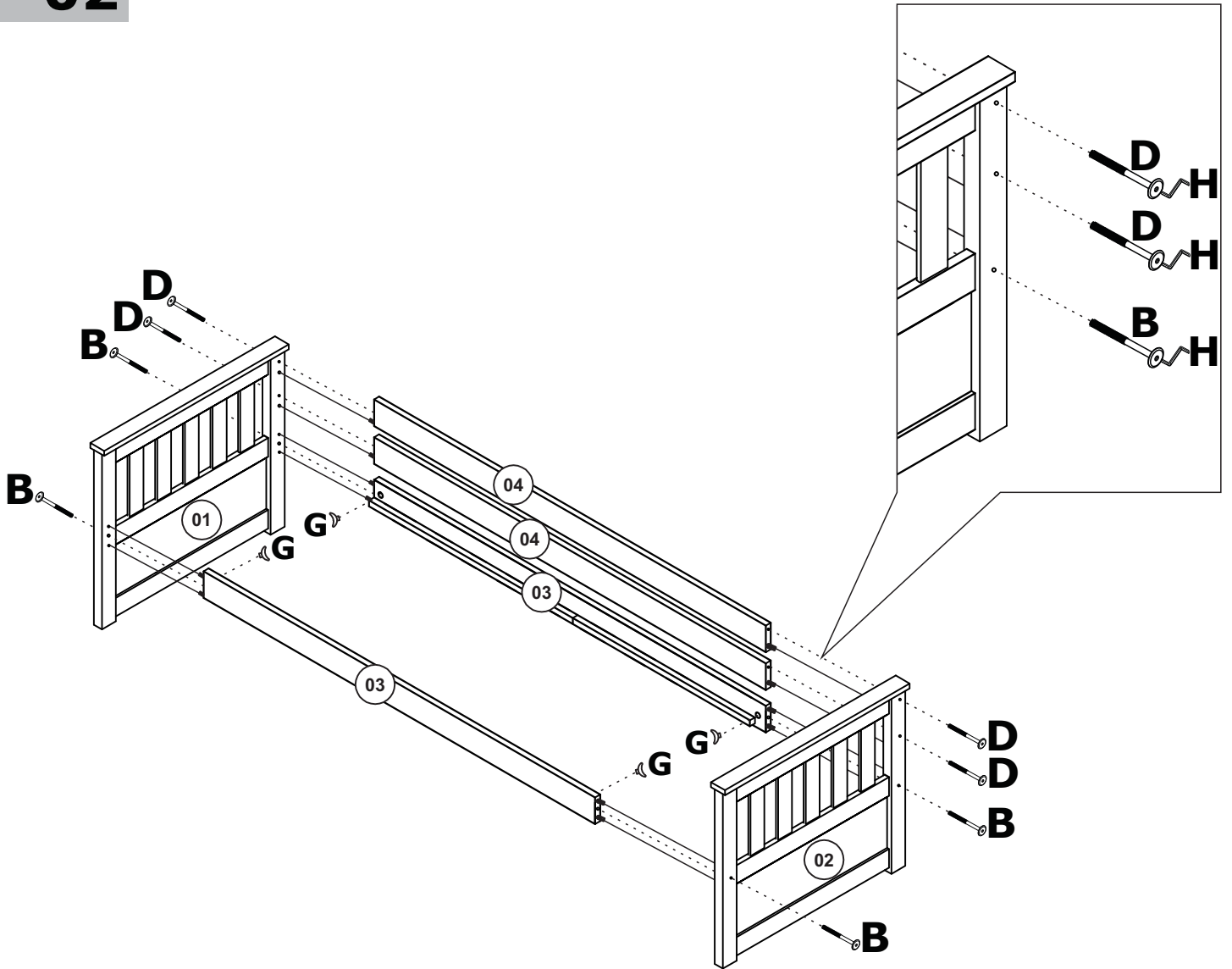
Do Not Use Power Tools


01



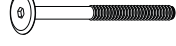
A  **12x**
Ø10x40mm

02



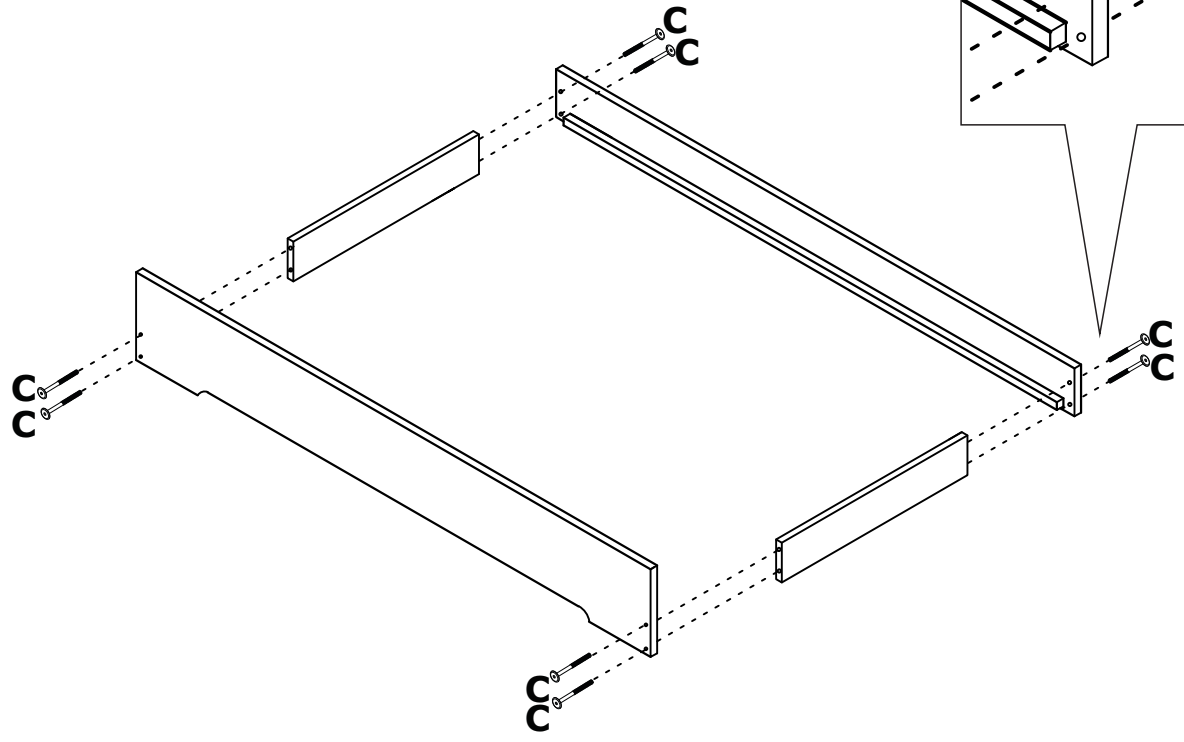
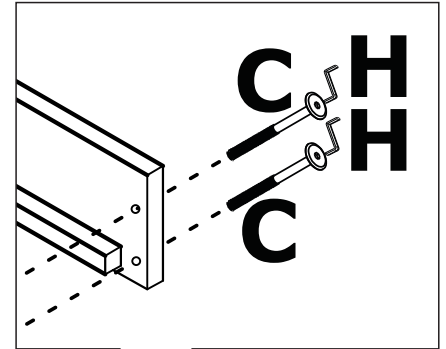
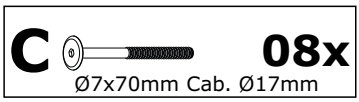
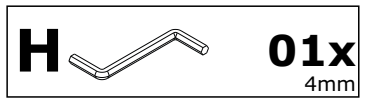
H  **01x**
4mm

G  **04x**
Ø1/4"x25mm

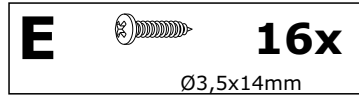
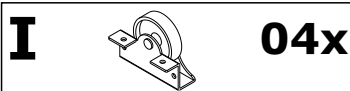
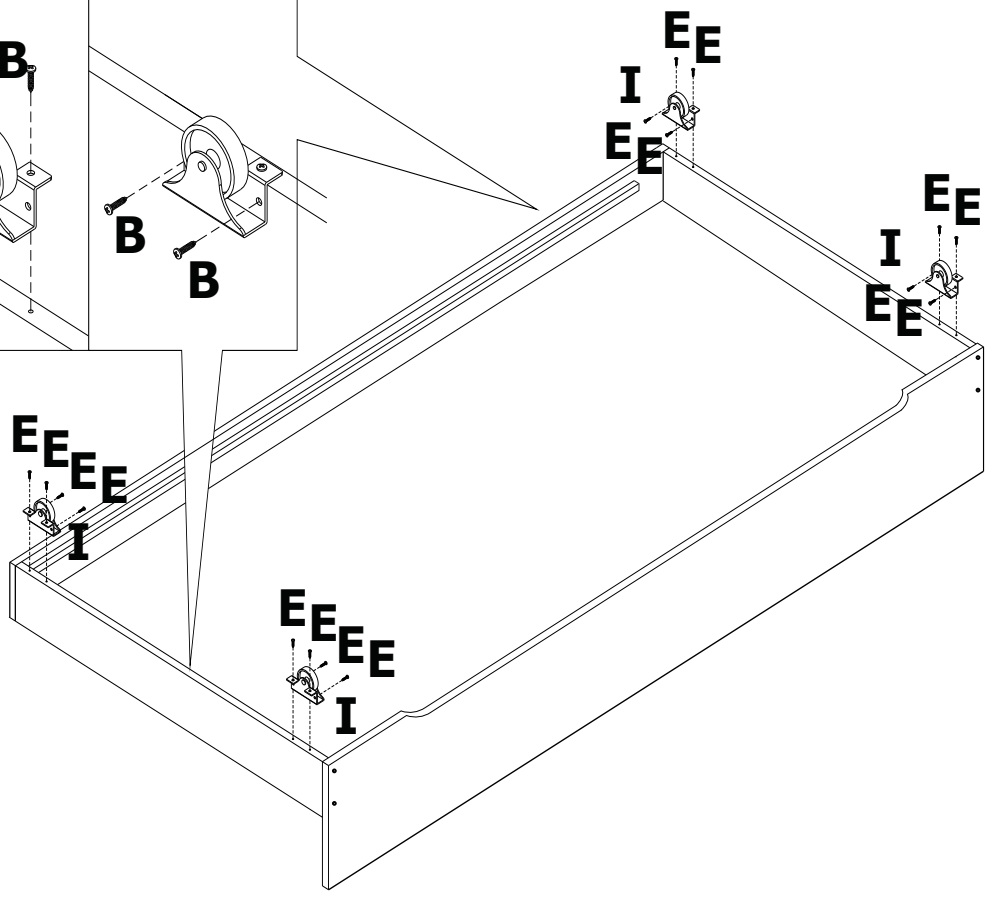
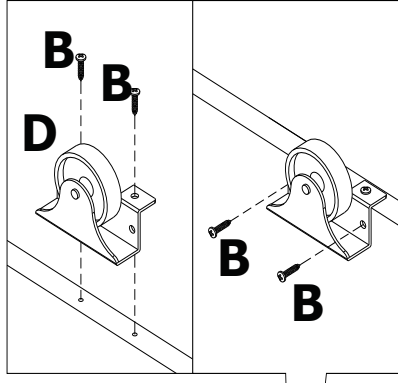
B  **04x**
Ø1/4"x80mm - Ø17

D  **04x**
Ø7x70mm Cab. Ø17mm


03



04



05

F  **48x**
Ø3,5x30mm

